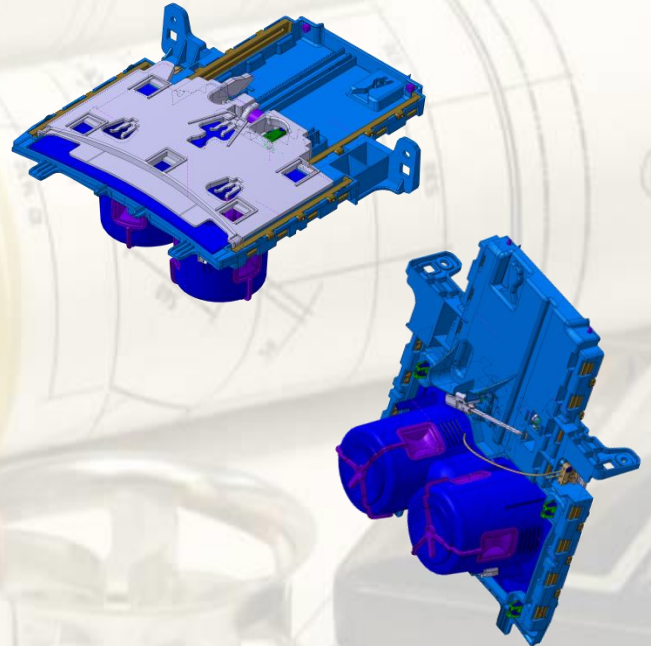




Alfa Romeo 253 D952 Giulia Cup holder

The Cup Holder in the Alfa Romeo car is part of the interior components of this car. This part is used to store drinks. The position is usually next to the driver.



The type of fixture used for cup holder products in this alpha romeo car is the Checking Fixture (CF) type. CF is used to measure products using Dial Gauge, usually to measure the maximum dimensions of the product.

Checking Fixture (CF) functions to position and bind (clamp) the product, so that data can be retrieved through the use of Dial Gauge.

At any time CF can be used to measure with CMM. The use of CF is done in a special room or in the production area.

